

**Model** SQA042KA **Power** 1ph, 208~230V, 60Hz

**Application Range**

Compressor Cooling	Natural			
Evaporating Temp.	-23 ~ 12	°C	-9 ~ 54	°F
Condensing Temp.	65	°C max.	149	°F max.
Return Gas Temp.	30	°C max.	86	°F max.
Discharge Gas Temp.	130	°C max.	266	°F max.
Motor Wire Temp.	135	°C max.	275	°F max.

**Rated Performance\_A** 7.2°C / 54.4°C (45°F / 130°F)

Capacity	41,200	Btu/h	12,075	Watts
Motor Input	3,712		W	
Current	17.5		A	
E.E.R (C.O.P)	11.1	Btu/W.h	3.3	W/W

**Rated Performance\_B** 7.2°C / 37.8°C (45°F / 100°F)

Capacity	49,000	Btu/h	14,361	Watts
Motor Input	2,579		W	
Current	11.5		A	
E.E.R (C.O.P)	19.0	Btu/W.h	5.6	W/W

**Capacity Test Conditions\_A** 7.2°C / 54.4°C (45°F / 130°F)

Evaporating Temp.	7.2	°C	45	°F
Condensing Temp.	54.4	°C	130	°F
Return Gas Temp.	18.3	°C	65	°F
Liquid Line Temp.	46.1	°C	115	°F
Ambient Temp.	35.0	°C	95	°F

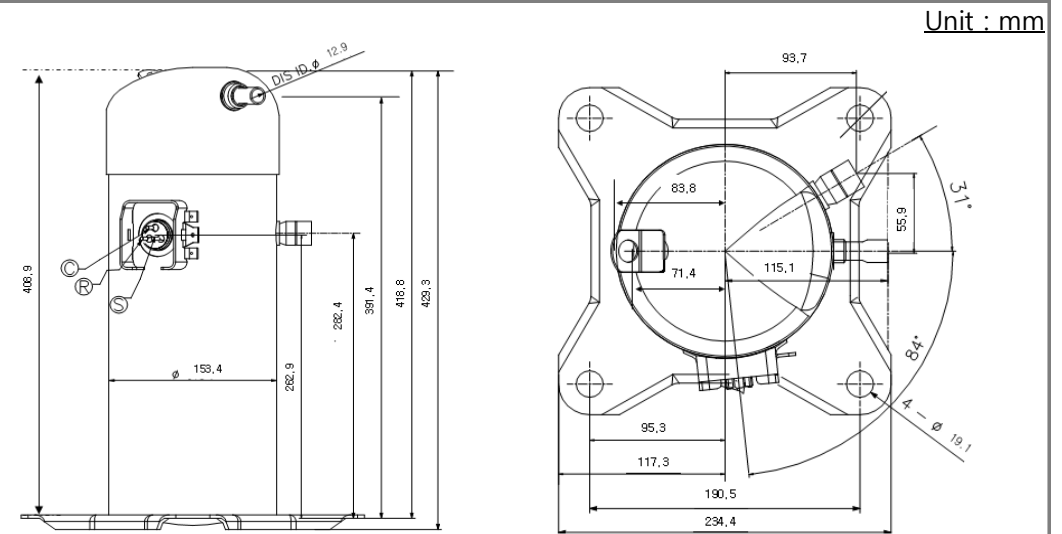
**Capacity Test Conditions\_B** 7.2°C / 37.8°C (45°F / 100°F)

Evaporating Temp.	7.2	°C	45	°F
Condensing Temp.	37.8	°C	100	°F
Return Gas Temp.	18.3	°C	65	°F
Liquid Line Temp.	29.5	°C	85	°F
Ambient Temp.	35.0	°C	95	°F

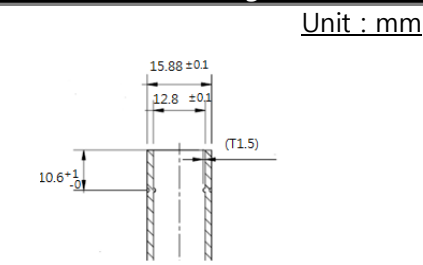
**Electrical Components**

Running Capacitor	50	µF	440	VAC
Overload Protector	Internal		15HM2440	

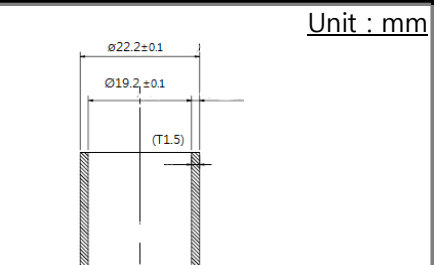
**Standard Dimensions**



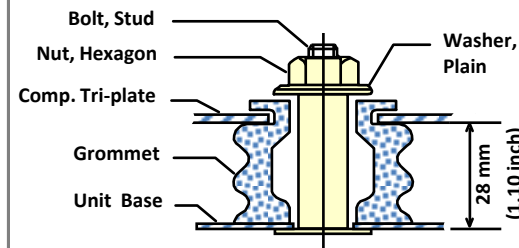
**Details of Discharge Tube**



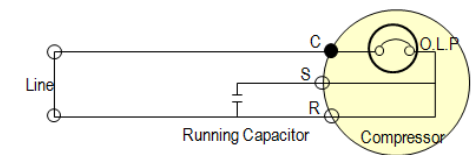
**Details of Suction Tube**



**Compressor Mounting**



**Wiring Diagram**



\* Specifications are subject to change without notice

\* General Performance Variation : ± 3%

Sound & Vibration Level_A			
Sound Level	71 ±2		dB
Amplitude	Max 50		μm
Acceleration			GAL

Sound & Vibration Test Conditions_A				
Evaporating Temp.	7.2	°C	45	°F
Condensing Temp.	54.4	°C	130	°F
Return Gas Temp.	18.3	°C	65	°F
Liquid Line Temp.	46.1	°C	115	°F
Ambient Temp.	35.0	°C	95	°F

Compressor Basic Information				
Type	Low Side Shell / Constant / Scroll			
Displacement	57.18		cc/rev	
Oil Type	4GSI or NM56 or POE(RB32G)			
Oil Charge	1100	cc	37.2	fl.oz
Weight	27.8	Kg	61.3	lb

Motor Basic Information				
Type	1 Phase Induction Motor			
Rated Output	3300		W	
Winding Resistance (Ω) (@25°C, 77°F)	0.65	± 7%	(U-V), Main	
	1.46	± 7%	(V-W), Sub	
		± 7%	(W-U)	
Voltage Range	187 ~ 253		V	
Locked Rotor Amps.	95.6		A	

Etc..				

Sound & Vibration Level_B			
Sound Level			dB
Amplitude			μm
Acceleration			GAL

Sound & Vibration Test Conditions_B				
Evaporating Temp.		°C		°F
Condensing Temp.		°C		°F
Return Gas Temp.		°C		°F
Liquid Line Temp.		°C		°F
Ambient Temp.		°C		°F

Operation Limits	
Discharge Pressure	Max. 370 psi ( 26.0 kg.f/cm <sup>2</sup> )
Suction Pressure	17 ~ 91 psi ( 1.2 ~ 6.4 kg.f/cm <sup>2</sup> )
Motor Coil Temp.	Max. 135°C( 275°F )
Discharge Temp.	Max. 130°C( 266°F )
Refrigerant Charge Limit	Max. 3,600 g ( 126.9 oz )
Continuous Flood Back	Continuous Flood Back before the compressor should not be more than 10% of the total circulation quantity of refrigerant.
On/Off Interval & Cycles	On / Off = 3 Minutes / 3 Minutes 20,000 Cycles or less
Voltage Range	Rated Voltage(V2) ± 10 %
Frequency Range	Rated Frequency ± 2 %
Compression Ratio in Operating	The Compression ratio in operating shall be 6.7 or less, except 3 minutes starting period.
Pressure Difference at Start up	When starting, discharge pressure is balanced with suction pressure
Inclination in Operation	The allowable tilt of the compressor in operation shall be 3° or less

\* Specifications are subject to change without notice

\* General Performance Variation : ± 3%